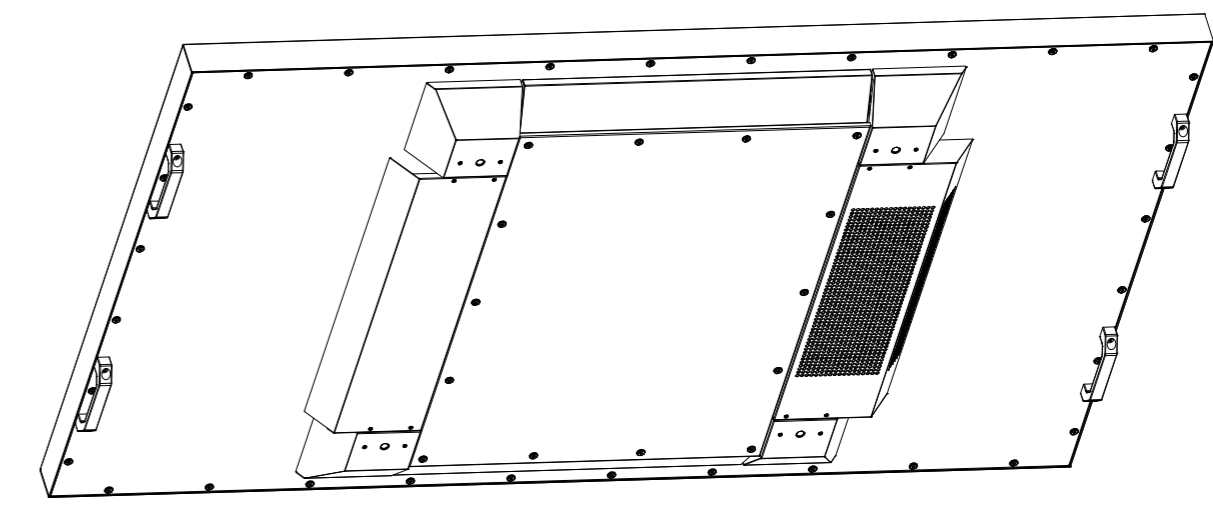
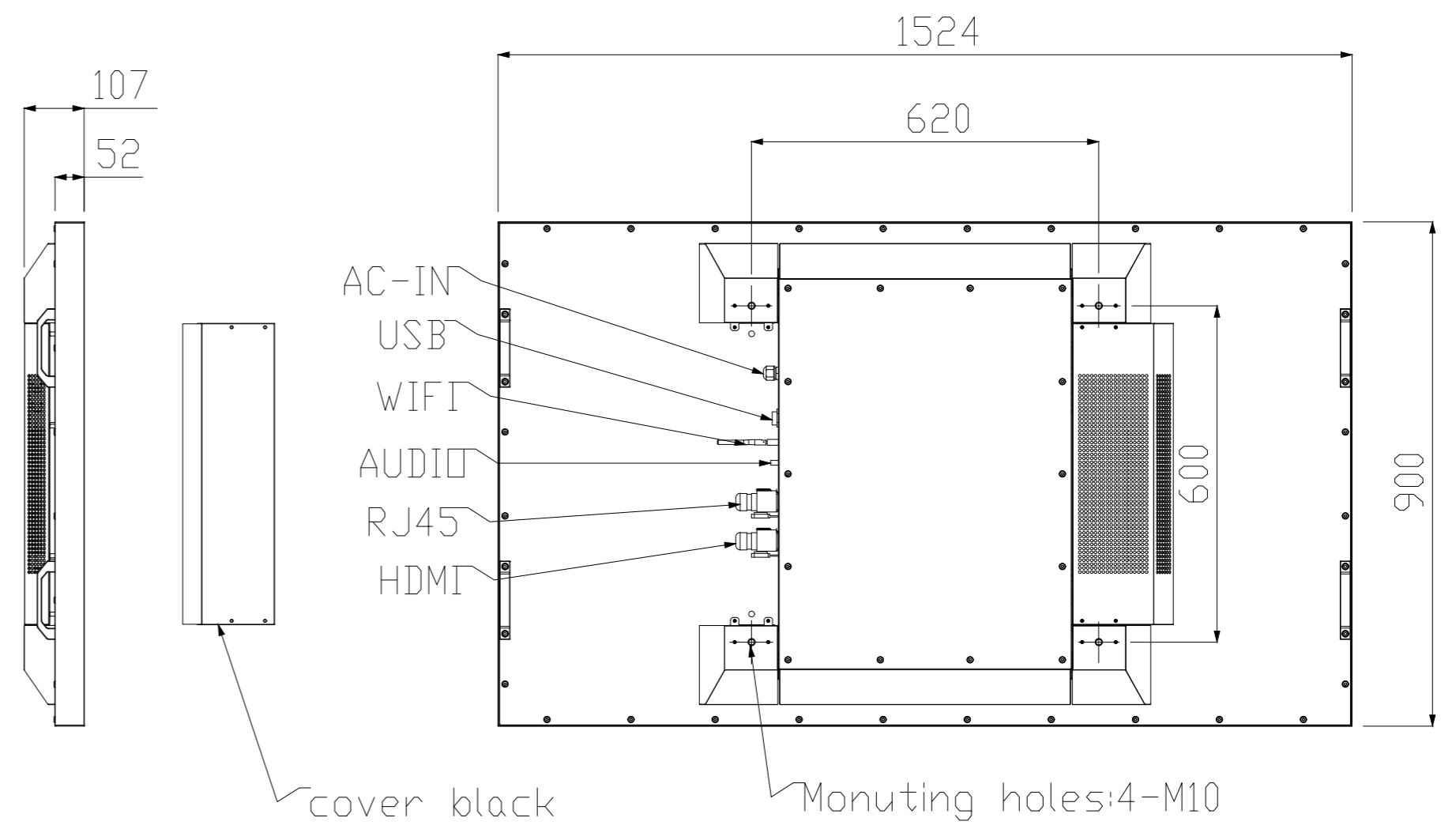
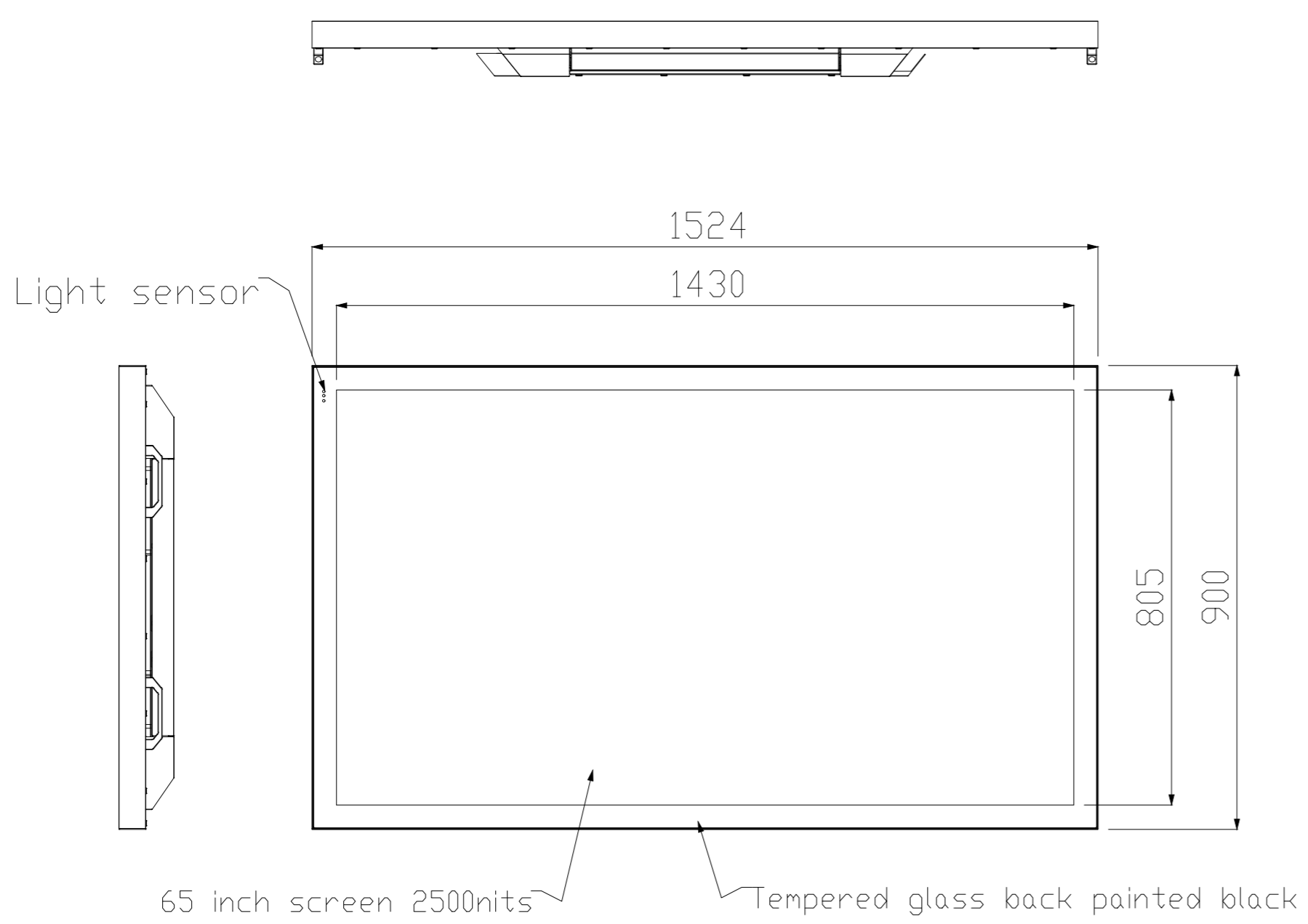


REV	ECN NO.	DESCRIPTION



X	± 0.1		Keewin Display Co., LTD.	TITLE: 65 inch exterior single sided AD-panel3			
XX	± 0.01			DRAW:	DATE:	UNIT'S: MM DWG NO:	
.XXX	± 0.001			ANG ± 0.5	CHKD:	* DATE:	* FINISH:
THESE DRAWINGS AND SPECIFICATION ARE THE PROPERTY OF Keewin Display Co., LTD. AND SHALL NOT BE REPRODUCED COPIED OR USED IN ANY MANNER WITHOUT THE PRIOR WRITTEN CONSENT OF Keewin Display Co.,LTD.			STAD:	* DATE:	* MASS(Kg):	CODE NO:	REV
			APPD:	* DATE:	* SCALE:		
			PRODUCT:	*	SHEET: 1 OF 1	MAT'L:	*