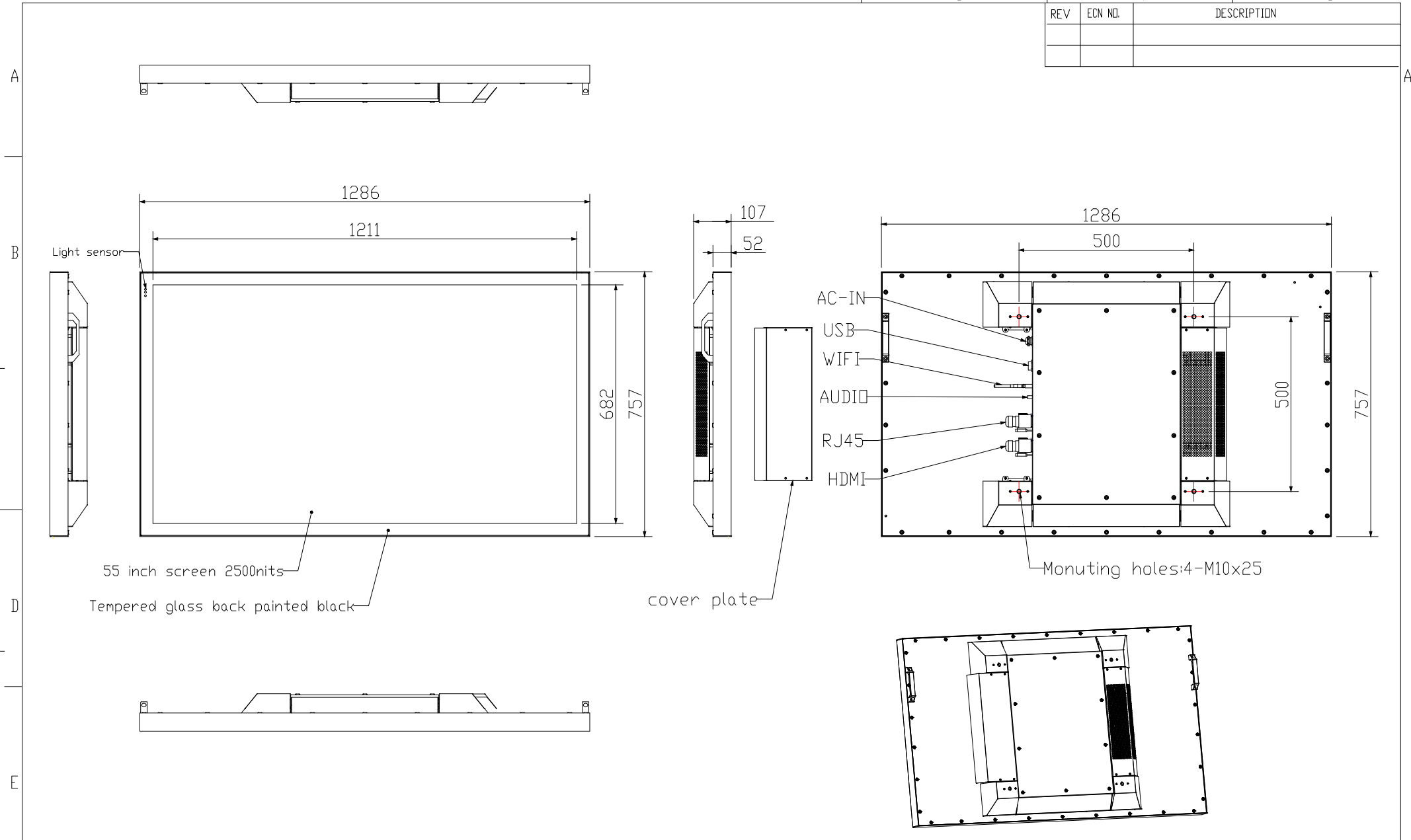


REV	ECN NO.	DESCRIPTION



X	±0.1		Keewin Display Co., LTD.	TITLE: 55 inch exterior single sided AD-panel3		
XX	±0.01			DRAW: _____ DATE: _____	UNIT: MM	DWG NO: _____
XXX	±0.001			ANG ±0.5	CHKD: * DATE: * FINISH: _____	STAD: * DATE: * MASS(Kg): _____
THESE DRAWINGS AND SPECIFICATION ARE THE PROPERTY OF Keewin Display Co., LTD. AND SHALL NOT BE REPRODUCED COPIED OR USED IN ANY MANNER WITHOUT THE PRIOR WRITTEN CONSENT OF Keewin Display Co.,LTD.			APPD: * DATE: * SCALE: _____	PRODUCT: * _____	SHEET: 1 OF 1	
				MAT'L: _____	REV: _____	