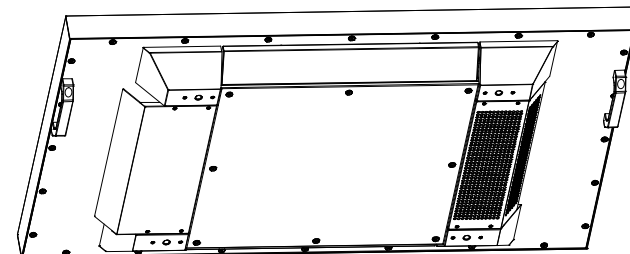
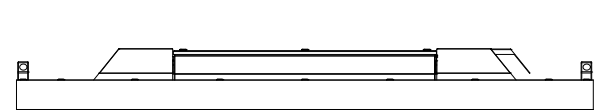
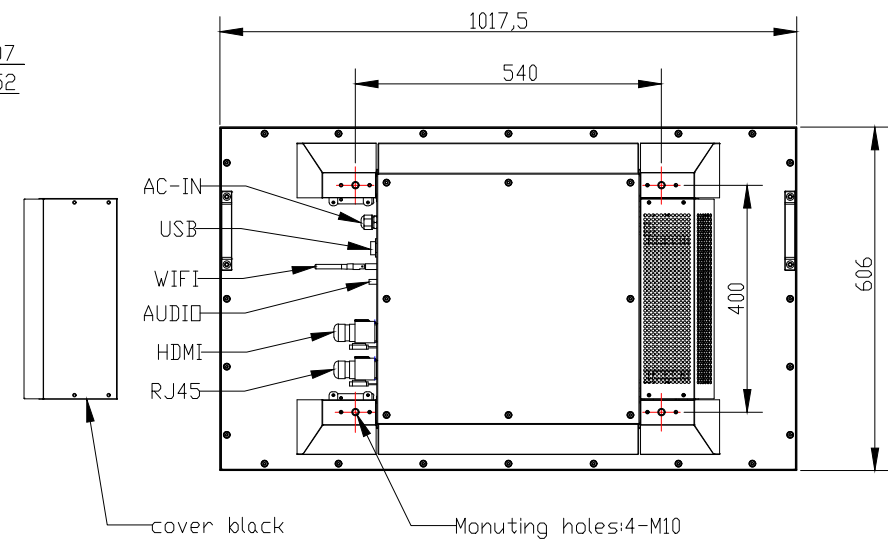
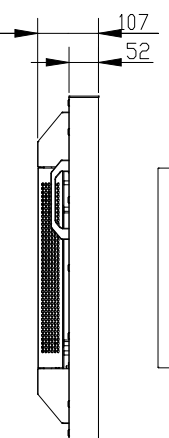
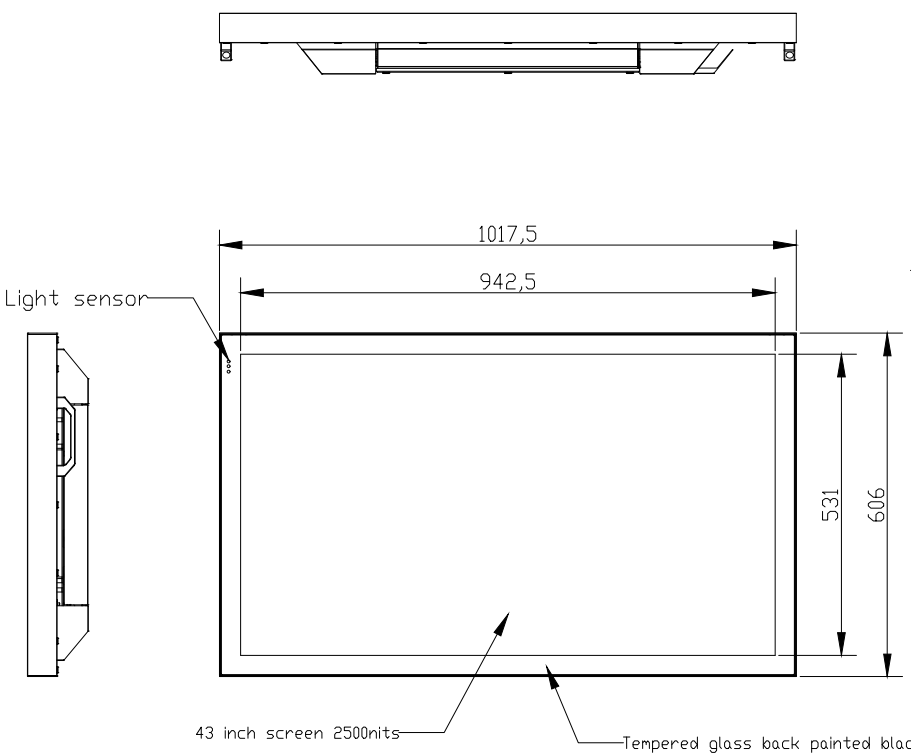


| | | |
|-----|---------|-------------|
| REV | ECN NO. | DESCRIPTION |
| | | |
| | | |

A
B
D
E
F



| | | | | | | |
|---|--------|--|--------------------------|--|-------------------------|---------------------------|
| X | ±0.1 | | Keewin Display Co., LTD. | TITLE: 43 inch exterior single sided AD-panel3 | | |
| XX | ±0.01 | | | DRAW: | DATE: | UNIT'S: MM DWG NO: |
| XXX | ±0.001 | | | ANG ±0.5 | CHKD: * DATE: * FINISH: | STAD: * DATE: * MASS(Kg): |
| THESE DRAWINGS AND SPECIFICATION ARE THE PROPERTY OF Keewin Display Co., LTD. AND SHALL NOT BE REPRODUCED COPIED OR USED IN ANY MANNER WITHOUT THE PRIOR WRITTEN CONSENT OF Keewin Display Co.,LTD. | | | APPD: * DATE: * SCALE: | PRODUCT: * SHEET: 1 OF 1 | REV | |
| | | | | MAT'L: | * | |